

Bison Valve Boxes

Cast iron rims, lids, and top sections are suitable for **roadway installations**, are **ASTM 48A Class 30**, and are **H-20 load rated**. Once the cast iron rim or top section is embedded in the concrete or asphalt, the roadway takes the loading, not the plastic components below.

HEAVY DUTY & LIGHTWEIGHT

- Cast Iron rim permanently bonded to ABS top section
- Thick-Walled ABS Plastic
- 5.25" Inside Diameter
- White interior increases visibility
- Screw or Slide Adjustment
- Weighs less than 25% of an all cast iron curb box

SCREW TYPE

Extension Range	Bison Box	Weight*	Cast Iron	Weight*
22-28	P05ZHC2228A1W	15.3	18	44.5
27-38	P05ZHC2738A1W	17.1	20	60
39-50	P05ZHC3950A1W	19.4	21	74.5
39-60	P05ZHC3960A1W	20.8	22	90.5
51-72	P05ZHC5172A1W	23.1	22 & 58 Ext	113.5

*Weights do not include 13.5 lb lid

SLIDE TYPE

Extension Range	Bison Box	Weight*	Cast Iron	Weight*
22-28	P05ZHS2228A1W	15.3	5461-S	45.5
27-38	P05ZHS2738A1W	17.1	5562-S	61.5
39-50	P05ZHS3950A1W	19.4	5564-S	74.5
36-48	P05ZHS3648A1W	18.5	5662-S	76.5
39-60	P05ZHS3960A1W	20.8	5664-S	89.5
51-72	P05ZHS5172A1W	23.1	5664-S & 64-E Ext	112.5

*Weights do not include 13.5 lb lid



STANDARD & CUSTOM ASSEMBLIES

- Easily assembles with cast iron or other plastic components
- Full Flange, Partial Flange, and No Flange cast iron rim options
- Can be used with full cast iron top section and Bison ABS plastic bottom section
- Standard bottom sections and assemblies have 101 bell
- 106 or 107 bells can be used to increase bell area

MATERIAL SPECIFICATIONS

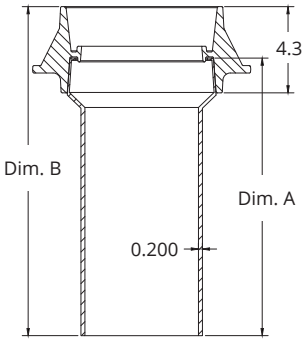
Acrylonitrile-Butadiene-Styrene (ABS) Plastic Properties	ASTM Test Method	Minimum Values
Tensile Strength	D-638	5,100 psi
Flexural Strength	D-790	8,000 psi
Flexural Modulus	D-790	230,000 psi
Impact Strength Izod	D-256	3.5 - 6.3 ft-lbs/in
Deflection Temp @ 264 psi	D-648	169 F
Specific Gravity	D-792	1.04

*Cast Iron is ASTM 48A Class 30

Standard Components

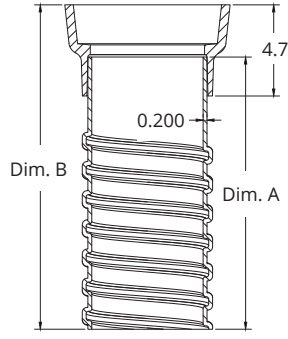


**All measurements are in inches*



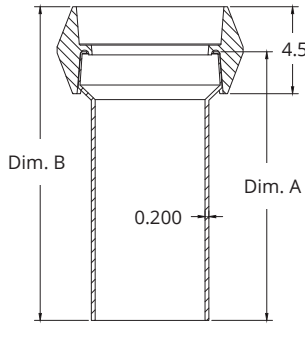
Top Section w/ PI Rim (Full Flange)

	Dim. A	Dim. B	Item #
Screw	10	12.6	P05PTHCP10
	14	16.6	P05PTHCP14
	24	26.6	P05PTHCP24
Slide	10	12.6	P05PTHSP10
	14	16.6	P05PTHSP14
	24	26.6	P05PTHSP24



Top Section w/ P500 Rim (No Flange)

	Dim. A	Dim. B	Item #
Screw	10	12.7	P05PTHC10
	14	16.7	P05PTHC14
	24	26.7	P05PTHC24
Slide	10	12.7	P05PTHS10
	14	16.7	P05PTHS14
	24	26.7	P05PTHS24



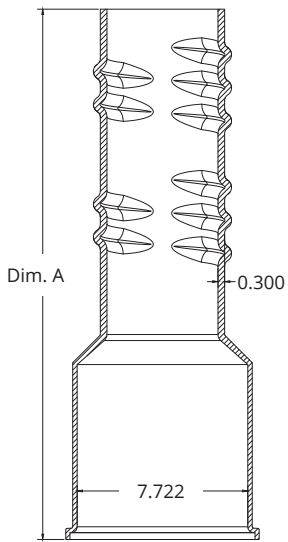
Top Section w/ PI3 Rim (Partial Flange)

	Dim. A	Dim. B	Item #
Screw	10	12.3	P05PTHC310
	14	16.3	P05PTHC314
	24	26.3	P05PTHC324
Slide	10	12.3	P05PTHS310
	14	16.3	P05PTHS314
	24	26.3	P05PTHS324

Standard Assemblies

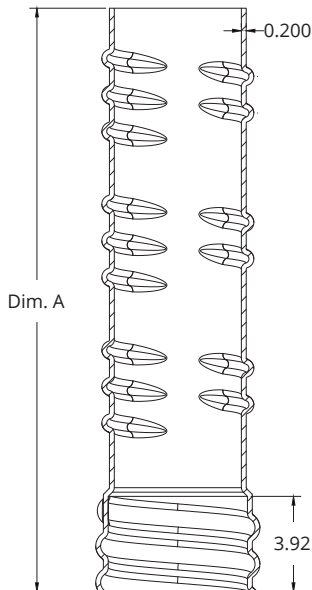
All standard assemblies come with the 101 bell and either a water lid or no lid.

	Lid	Rim	Ext. Range	Item #
Screw	Water	PI	22-28	P05ZHC2228B1W
	Water	PI	27-38	P05ZHC2738B1W
	Water	PI	39-50	P05ZHC3950B1W
	Water	PI	36-48	P05ZHC3648B1W
	Water	PI	39-60	P05ZHC3960B1W
	Water	PI	51-72	P05ZHC5172B1W
	Water	P500	22-28	P05ZHC2228A1W
	Water	P500	27-38	P05ZHC2738A1W
	Water	P500	39-50	P05ZHC3950A1W
	Water	P500	36-48	P05ZHC3648A1W
	Water	P500	39-60	P05ZHC3960A1W
	Water	P500	51-72	P05ZHC5172A1W
Slide	Water	PI	22-28	P05ZHS2228B1W
	Water	PI	27-38	P05ZHS2738B1W
	Water	PI	39-50	P05ZHS3950B1W
	Water	PI	36-48	P05ZHS3648B1W
	Water	PI	39-60	P05ZHS3960B1W
	Water	PI	51-72	P05ZHS5172B1W
	Water	P500	22-28	P05ZHS2228A1W
	Water	P500	27-38	P05ZHS2738A1W
	Water	P500	39-50	P05ZHS3950A1W
	Water	P500	36-48	P05ZHS3648A1W
	Water	P500	39-60	P05ZHS3960A1W
	Water	P500	51-72	P05ZHS5172A1W



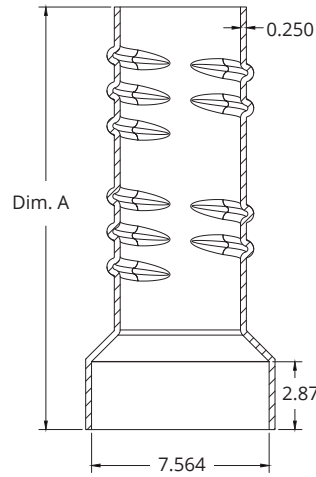
Bottom Section w/ 101 Bell

	Dim. A	Item #
Screw	18	P05BHC18
	24	P05BHC24
	36	P05BHC36
	48	P05BHC48
Slide	18	P05BHS18
	24	P05BHS24
	36	P05BHS36
	48	P05BHS48



Extension

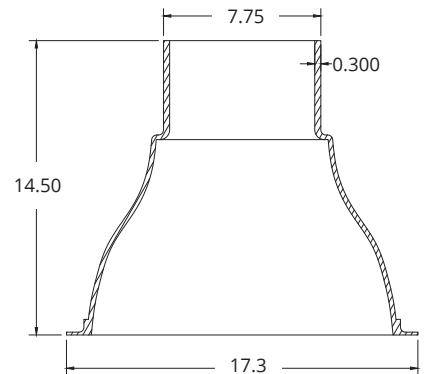
	Dim. A	Item #
Screw	24	P05EHC24
	30	P05EHC30
	30	P05EHC30
Slide	24	P05EHS24
	30	P05EHS30



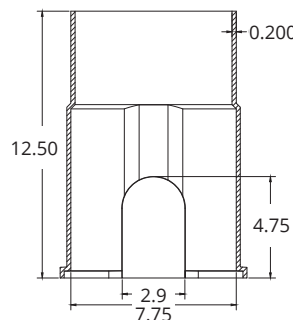
Stem for 106/107 Bell

	Dim. A	Item #
Screw	12	P05SHC12
	18	P05SHC18
	24	P05SHC24
	30	P05SHC30
Slide	12	P05SHS12
	18	P05SHS18
	24	P05SHS24
	30	P05SHS30

Lid options available. Contact us about custom assemblies.



107 Bell - P05BH107



106 Bell - P05BH106



CONTACT

540-825-8334
sales@bandt-us.com
bandt-us.com