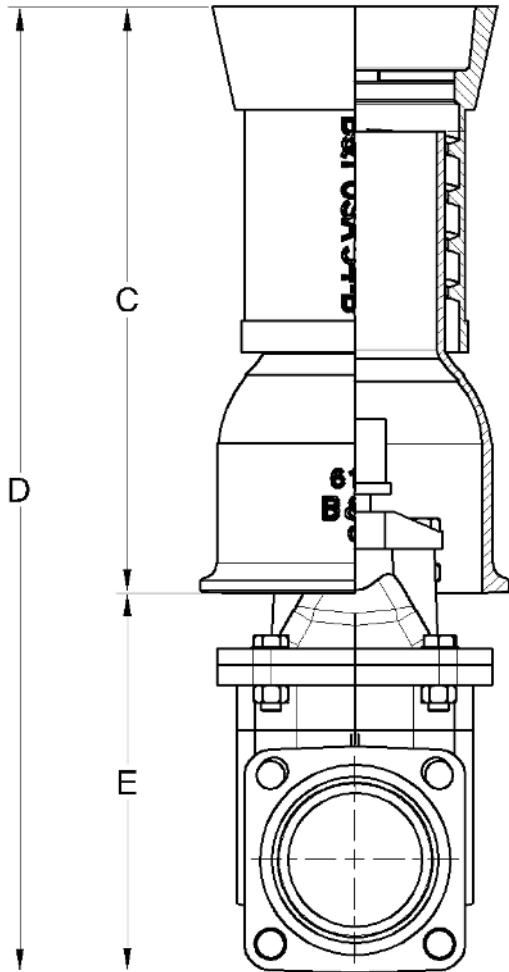


# WHAT HEIGHT 5¼" VALVE BOX DO I NEED?

## A Quick Start Guide

### FOR A STANDARD 5¼" 2-PIECE ASSEMBLY



1) To calculate the overall height of your two-piece box (Dim. C), you will need to know the depth of your trench (Dim. D) and the size of your valve.

2) Using Table 1 and the size of your valve, find the value of Dim. E (the bottom of the trench to the bottom of the valve box).

TABLE 1

| Size of Valve | 3" | 4" | 5" | 6" | 8" | 10" |
|---------------|----|----|----|----|----|-----|
| Dim. E        | 10 | 12 | 14 | 16 | 21 | 25  |

3) Subtract Dim. E from Dim. D as seen in this formula:  
**Dim D - Dim E = Dim C**

4) With the height of your assembly calculated (Dim C), refer to tables 2-4 on the next page to find an assembly extension range that fits your height.

**CALL US TO PLACE YOUR ORDER 540-825-8334**

## WORKSHEET

Depth of Trench (Dim D) = \_\_\_\_\_

Size of Valve = \_\_\_\_\_

Bottom of Trench to Bottom of Box (Dim E)\* = \_\_\_\_\_

*\*Refer to Table 1 to find Dim E*

Dim D                  Dim E                  Dim C

\_\_\_\_\_ - \_\_\_\_\_ = \_\_\_\_\_

### EXAMPLE:

1) A 6" Valve in a 5 ft trench

2) Dim E for 6" valve deduct = 16"

3) 60" (Dim D) - 16" (Dim E) = 44" (Dim C)

4) Order assembly with a 39"-48" extension range.

## CAST IRON SCREW TYPE

TABLE 2

| Extension Range | Size No. | Height Top | Height Bottom |
|-----------------|----------|------------|---------------|
| 18-24           | 18       | 10.5       | 14.5          |
| 27-36           | 20       | 15.5       | 24.0          |
| 39-48           | 21       | 15.5       | 36.0          |
| 39-60*          | 22       | 26.0       | 36.0          |

Measurements in inches or pounds unless otherwise indicated

\*Taller Boxes are possible with extensions

## CAST IRON SLIDE TYPE

TABLE 3

| Extension Range | Size No. | Height Top | Height Bottom |
|-----------------|----------|------------|---------------|
| 18-24           | 5461-S   | 10.5       | 15.0          |
| 23-29           | 5561-S   | 15.5       | 15.0          |
| 27-36           | 5562-S   | 15.5       | 24.0          |
| 39-48           | 5564-S   | 15.5       | 36.0          |
| 38-48           | 5562-S   | 26.0       | 24.0          |
| 39-60*          | 5564-S   | 26.0       | 36.0          |

Measurements in inches or pounds unless otherwise indicated

\*Taller Boxes are possible with extensions

## PLASTIC SCREW & SLIDE TYPE

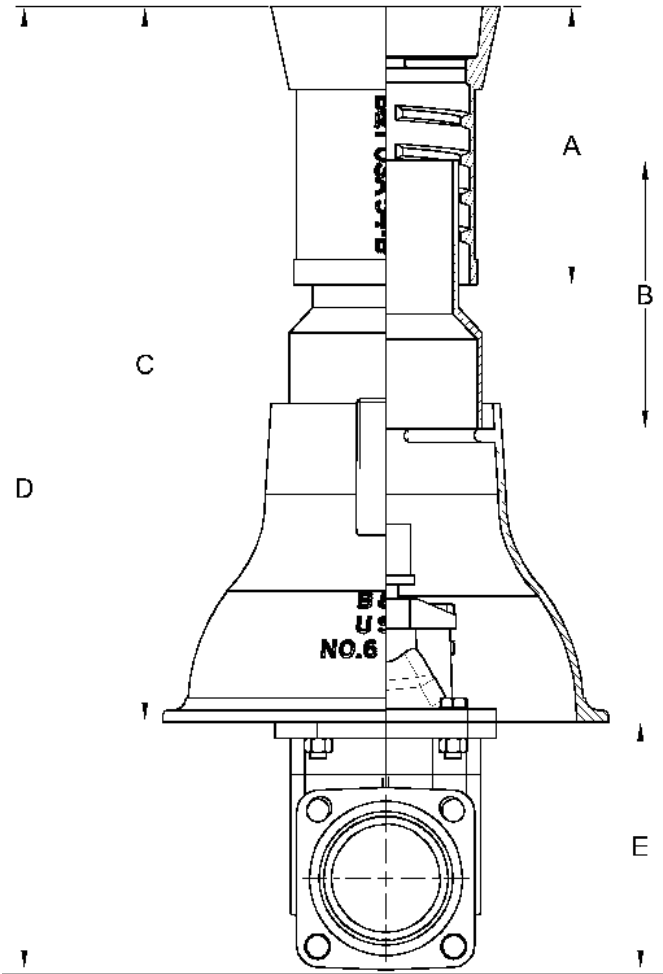
TABLE 4

| Extension Range | Size No. Slide Type | Size No. Screw Type | Height Top | Height Bottom |
|-----------------|---------------------|---------------------|------------|---------------|
| 22-24           | P-5461-S            | P-18                | 9          | 18            |
| 28-36           | P-5562-S            | P-20                | 15         | 24            |
| 40-48           | P-5564-S            | P-21                | 15         | 36            |
| 36-48           | P-5662-S            | P-21-A              | 27         | 24            |
| 34-54           | P-5663-S            | P-22-A              | 27         | 30            |
| 42-56           | P-5664-S            | P-22                | 27         | 36            |
| 52-72           | P-5666-S            | P-23                | 27         | 48            |
| 52-85           | P-5766-S            | P-24                | 39*        | 48            |

Measurements in inches or pounds unless otherwise indicated

\*Not available in screw type

## FOR A 3-PIECE 5¼" CAST IRON ASSEMBLY



1) To calculate the overall height of your three-piece box (Dim. C), you will need to know the depth of your trench (Dim. D) and the size of your valve.

2) In Table 5 below, find the column that indicates the size of your valve. This will tell you Dim E and the options for bases (diagram of base options on next page).

TABLE 5

| Size of Valve | 3  | 4    | 6  | 8  | 10 | 12         | 14         | 16         |
|---------------|----|------|----|----|----|------------|------------|------------|
| Dim. E        | 8  | 12.5 | 15 | 19 | 24 | 31         | 36.5       | 41.25      |
| Base Options  | #6 | #6   | #6 | #6 | #6 | #6 or #160 | #6 or #160 | #6 or #160 |

3) Subtract Dim E from Dim D and add the factor of your chosen base (#6 base = 0, #160 base = 1.5) as seen in this formula:

$$\text{Dim D} - \text{Dim E} + \text{Base Factor} = \text{Dim C}$$

4) With the height of your assembly calculated (Dim C), refer to table 6 on the next page to find an assembly extension range that fits your height.

## WORKSHEET

Depth of Trench (Dim D) = \_\_\_\_\_

Size of Valve = \_\_\_\_\_

Bottom of Trench to Bottom of Box (Dim E)\* = \_\_\_\_\_

\*Refer to Table 2 to find Dim E

Base Height (#6 use 0, #160 use 1.5) = \_\_\_\_\_

Dim D          Dim E          Base Height          Dim C

\_\_\_\_\_ - \_\_\_\_\_ + \_\_\_\_\_ = \_\_\_\_\_

CALL TO PLACE YOUR ORDER 540-825-8334

## CAST IRON SCREW & SLIDE TYPE

TABLE 6

| Extension Range | Size No. | Height Top (Dim A) | Height Middle (Dim B) |
|-----------------|----------|--------------------|-----------------------|
| 26-30           | AA       | 10.5               | 10.5                  |
| 28-40           | A        | 15.5               | 16.0                  |
| 36-48           | B        | 15.5               | 24.0                  |
| 42-54           | C        | 15.5               | 27.0                  |
| 48-60           | CC       | 15.5               | 36.0                  |
| 42-66           | D        | 26.0               | 27.0                  |
| 48-72*          | E        | 26.0               | 36.0                  |

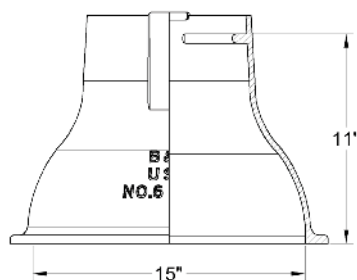
Measurements in inches or pounds unless otherwise indicated

\* Taller boxes are possible with extensions

## CAST IRON BASE OPTIONS

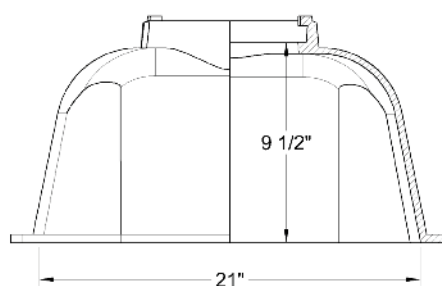
### #6 BASE

For valves 8" and smaller



### #160 BASE

For valves 16" and smaller



Have Questions? *Contact us* and one our experienced sales directors can help guide you to the best solution for your utility.

*Easy, Safe & Secure Access to Your Underground Utilities*



- Plastic Meter Pits & Cast Iron Meter Boxes
- Cast Iron, Plastic & Combination Valve Boxes
- Custom Lids
- 100% American Made

540-825-8334 • [www.bandt-us.com](http://www.bandt-us.com)