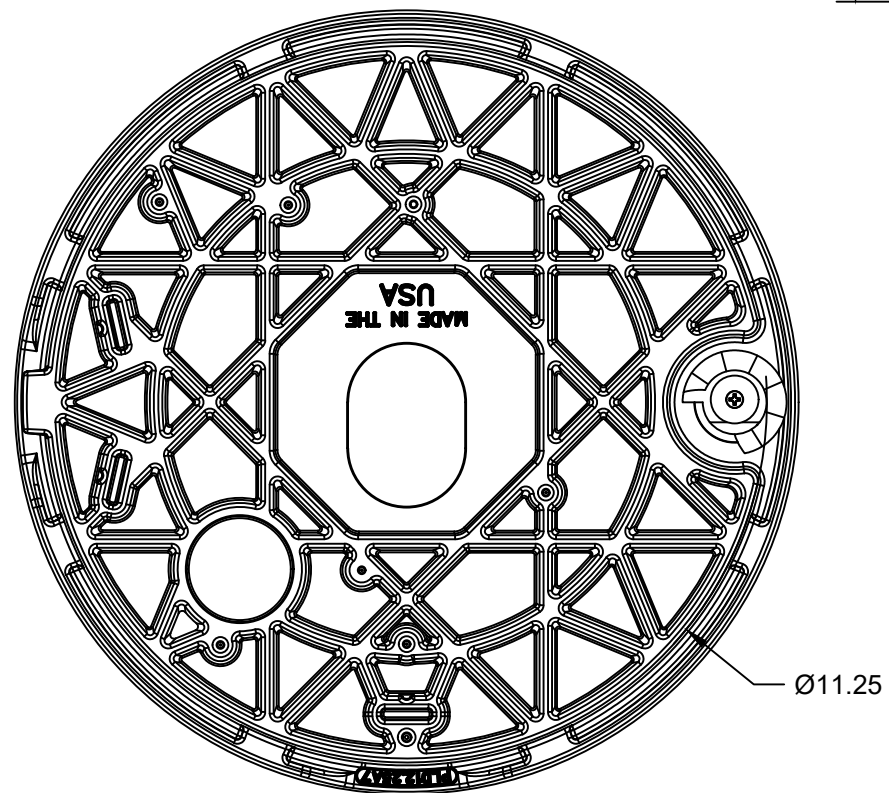



SECTION A-A



NOTES- ALL EDGES HAVE A 1/16 RADIUS  
TOLERANCE  $\pm .0625$

REV.	DATE	COMMENT
A	03/30/2021	ADDED CONTINUOUS LIP

	BINGHAM & TAYLOR	
	<h1>PLD12.25A7TN</h1>	
MAVERICK METER LID ASSEMBLED 12.25 IN DIA, 11.25 IN SKIRT, 0.7 IN RIM, THRU HOLE NEPTUNE	DRAWN BY: <b>J. BUTCHER</b> 11/16/2020	
APPROVED BY: <b>M. LATHAM</b>	DATE: 02/25/2021	
APPROVED BY:	DATE:	