



Bison Valve Boxes

Cast iron rims, lids, and top sections are suitable for **roadway installations**, are **ASTM 48A Class 30**, and are **H-20 load rated**. Once the cast iron rim or top section is embedded in the concrete or asphalt, the roadway takes the loading, not the plastic components below.

HEAVY DUTY & LIGHTWEIGHT

- Cast Iron rim permanently bonded to ABS top section
- Thick-Walled ABS Plastic
- 5.25" Inside Diameter
- White interior increases visibility
- Screw or Slide Adjustment
- Weighs less than 25% of an all cast iron curb box

SCREW TYPE

Extension Range	Bison Box	Weight*	Cast Iron	Weight*
22-28	P05ZHC2228A1W	15.3	18	44.5
27-38	P05ZHC2738A1W	17.1	20	60
39-50	P05ZHC3950A1W	19.4	21	74.5
39-60	P05ZHC3960A1W	20.8	22	90.5
51-72	P05ZHC5172A1W	23.1	22 & 58 Ext	113.5

*Weights do not include 13.5 lb lid

SLIDE TYPE

Extension Range	Bison Box	Weight*	Cast Iron	Weight*
22-28	P05ZHS2228A1W	15.3	5461-S	45.5
27-38	P05ZHS2738A1W	17.1	5562-S	61.5
39-50	P05ZHS3950A1W	19.4	5564-S	74.5
36-48	P05ZHS3648A1W	18.5	5662-S	76.5
39-60	P05ZHS3960A1W	20.8	5664-S	89.5
51-72	P05ZHS5172A1W	23.1	5664-S & 64-E Ext	112.5

*Weights do not include 13.5 lb lid



STANDARD & CUSTOM ASSEMBLIES

- Easily assembles with cast iron or other plastic components
- Full Flange, Partial Flange, and No Flange cast iron rim options
- Can be used with full cast iron top section and Bison ABS plastic bottom section
- Standard bottom sections and assemblies have 101 bell
- 106 or 107 bells can be used to increase bell area

MATERIAL SPECIFICATIONS

Acrylonitrile-Butadiene-Styrene (ABS) Plastic Properties	ASTM Test Method	Minimum Values
Tensile Strength	D-638	5,100 psi
Flexural Strength	D-790	8,000 psi
Flexural Modulus	D-790	230,000 psi
Impact Strength Izod	D-256	3.5 - 6.3 ft-lbs/in
Deflection Temp @ 264 psi	D-648	169 F
Specific Gravity	D-792	1.04

*Cast Iron is ASTM 48A Class 30

CONTACT

bandt-us.com

JESSICA NIEPOKOJ (*Interim*)
Southeast
540-825-8334 x112
jniepokoj@bandt-us.com

DENNIS QUINN
Mid-Atlantic, Northeast & Canada
540-219-4596
dqunn@bandt-us.com

MARK DeLANCELLOTTI
West
540-229-2599
mdelance@bandt-us.com

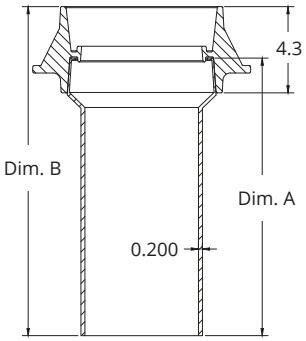
BRANDON WHEELER
Central
918-319-7900
bwheeler@bandt-us.com

PERRY HYDE
Midwest
540-229-1882
phyde@bandt-us.com

Standard Components

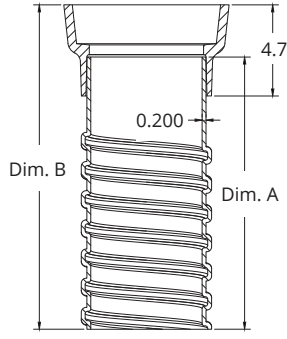


*All measurements are in inches



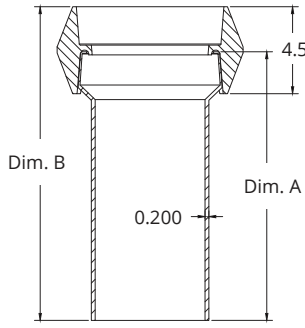
Top Section w/ PI Rim (Full Flange)

	Dim. A	Dim. B	Item #
Screw	10	12.6	P05PTHCP10
	14	16.6	P05PTHCP14
	24	26.6	P05PTHCP24
Slide	10	12.6	P05PTHSP10
	14	16.6	P05PTHSP14
	24	26.6	P05PTHSP24



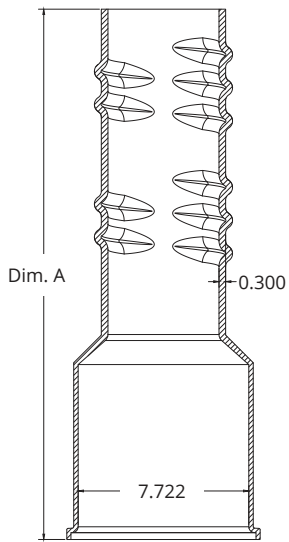
Top Section w/ P500 Rim (No Flange)

	Dim. A	Dim. B	Item #
Screw	10	12.7	P05PTHC10
	14	16.7	P05PTHC14
	24	26.7	P05PTHC24
Slide	10	12.7	P05PTHS10
	14	16.7	P05PTHS14
	24	26.7	P05PTHS24



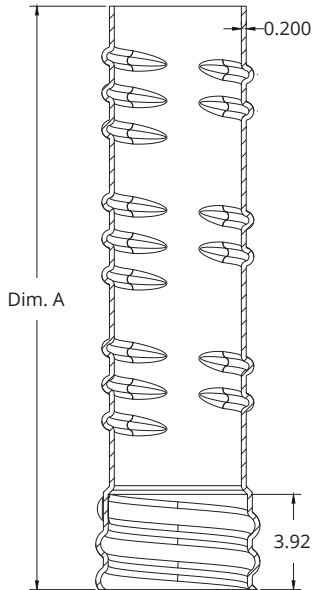
Top Section w/ PI3 Rim (Partial Flange)

	Dim. A	Dim. B	Item #
Screw	10	12.3	P05PTHC310
	14	16.3	P05PTHC314
	24	26.3	P05PTHC324
Slide	10	12.3	P05PTHS310
	14	16.3	P05PTHS314
	24	26.3	P05PTHS324



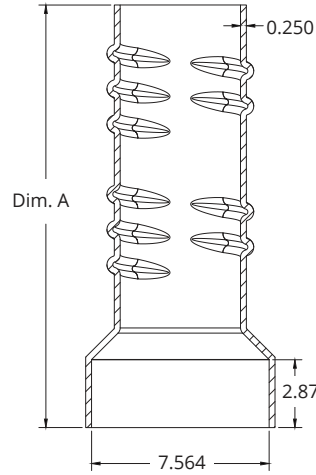
Bottom Section w/ 101 Bell

	Dim. A	Item #
Screw	18	P05BHC18
	24	P05BHC24
	36	P05BHC36
	48	P05BHC48
Slide	18	P05BHS18
	24	P05BHS24
	36	P05BHS36
	48	P05BHS48



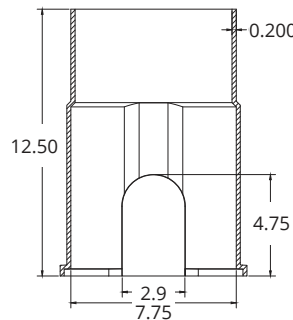
Extension

	Dim. A	Item #
Screw	24	P05EHC24
	30	P05EHC30
	30	P05EHS30
Slide	24	P05EHS24
	30	P05EHS30



Stem for 106/107 Bell

	Dim. A	Item #
Screw	12	P05SHC12
	18	P05SHC18
	24	P05SHC24
	30	P05SHC30
Slide	12	P05SHS12
	18	P05SHS18
	24	P05SHS24
	30	P05SHS30



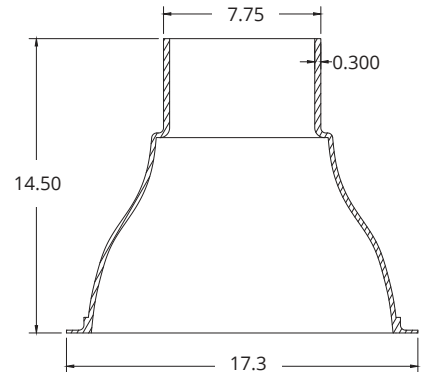
106 Bell - P05BH106

Standard Assemblies

All standard assemblies come with the 101 bell and either a water lid or no lid.

	Lid	Rim	Ext. Range	Item #
Screw	Water	PI	22-28	P05ZHC2228B1W
	Water	PI	27-38	P05ZHC2738B1W
	Water	PI	39-50	P05ZHC3950B1W
	Water	PI	36-48	P05ZHC3648B1W
	Water	PI	39-60	P05ZHC3960B1W
	Water	PI	51-72	P05ZHC5172B1W
	Water	P500	22-28	P05ZHC2228A1W
	Water	P500	27-38	P05ZHC2738A1W
	Water	P500	39-50	P05ZHC3950A1W
	Water	P500	36-48	P05ZHC3648A1W
	Water	P500	39-60	P05ZHC3960A1W
	Water	P500	51-72	P05ZHC5172A1W
Slide	Water	PI	22-28	P05ZHS2228B1W
	Water	PI	27-38	P05ZHS2738B1W
	Water	PI	39-50	P05ZHS3950B1W
	Water	PI	36-48	P05ZHS3648B1W
	Water	PI	39-60	P05ZHS3960B1W
	Water	PI	51-72	P05ZHS5172B1W
	Water	P500	22-28	P05ZHS2228A1W
	Water	P500	27-38	P05ZHS2738A1W
	Water	P500	39-50	P05ZHS3950A1W
	Water	P500	36-48	P05ZHS3648A1W
	Water	P500	39-60	P05ZHS3960A1W
	Water	P500	51-72	P05ZHS5172A1W

Lid options available. Contact us about custom assemblies.



107 Bell - P05BH107



CONTACT

540-825-8334
sales@bandt-us.com
bandt-us.com